

# Suction table

*Suitable for*

*Extraction from below of fumes and dusts – e.g. for manual plasma arc cutting*



Suction table

### Description

Stable construction for extraction from below. A baffle plate distributes the pollutants inside the bench and calms the air flow.

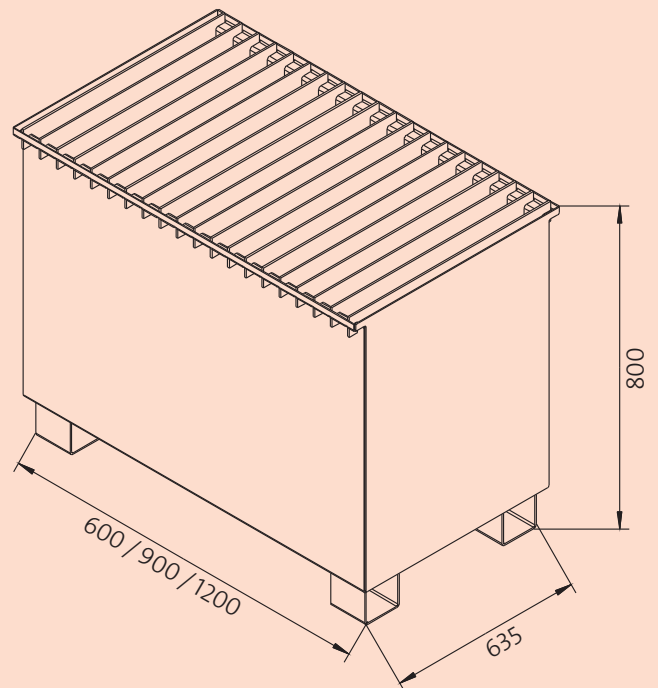
We would be glad to advise you regarding the choice of the appropriate filter units or fans.

### Standard equipment

- ▶ Support made of flat iron
- ▶ Baffle plate

### Available as an option

- ▶ Support made of refractory bricks
- ▶ Special dimensions on request
- ▶ Suction arm



### Technical data / Available versions

#### Suction table

PG3

Depth: 635 mm · Height: 800 mm

Width	Required volumetric flow of the fan	Suction nozzle	
600 mm	1500 m <sup>3</sup> /h	∅ 160 mm	56 200 <b>990,00 €</b>
900 mm	2000 m <sup>3</sup> /h	∅ 200 mm	56 210 <b>1 150,00 €</b>
1200 mm	2500 m <sup>3</sup> /h	∅ 250 mm	56 220 <b>1 360,00 €</b>

# Welding bench

Our Hotline

+49 28 63 92 82 0



**Suitable for**

**Education and training centres as well as industrial plants**



## Description

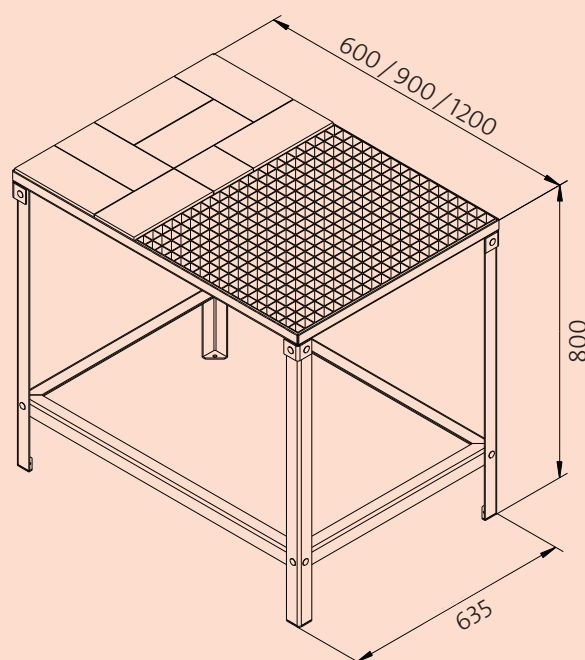
Stable welding bench made of sectional steel.  
A simple assembly is ensured.

## Available as an option

- ▶ Downhand welding device
- ▶ Special dimensions on request

## Standard equipment

- ▶ Bar iron grating
- ▶ Refractory bricks



Welding bench

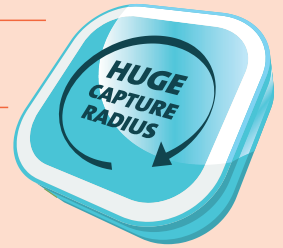
## Technical data / Available versions

Welding bench		PG 3
Depth: 635 mm · Height: 800 mm		
Width		
600 mm	56 100 <b>299,00 €</b>	
900 mm	56 110 <b>425,00 €</b>	
1200 mm	56 120 <b>475,00 €</b>	

# Grinding bench

*Suitable for*

*Rear wall extraction and extraction from below for grinding tasks.*



Grinding bench (Art. No. 56 410)

### Description

Here you find a selection of standard grinding benches.

The dusts are extracted on the back and below. 90 % of the extracted particles are already extracted by the rear wall and can safely and easily be disposed of by means of the dust collecting tray.

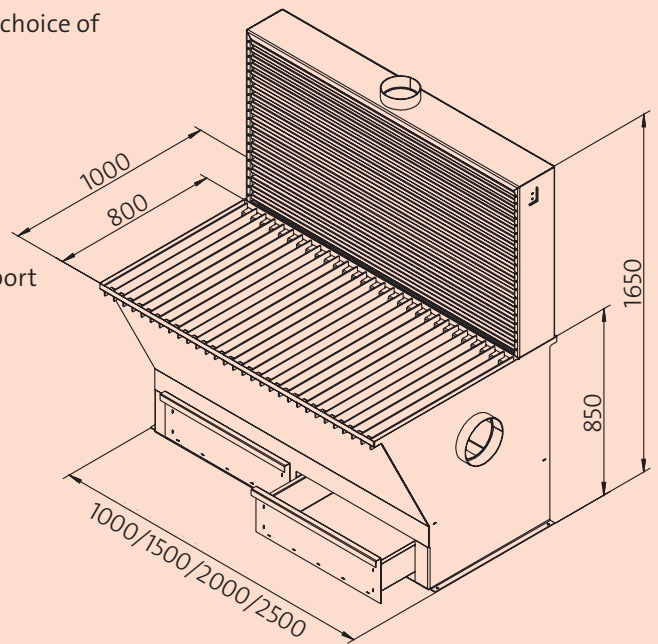
We gladly advise you regarding the choice of filter units or fans.

### Available as an option

- ▶ Side panels
- ▶ Lamella curtains folding type
- ▶ Partial roof with lighting
- ▶ Special dimensions on request
- ▶ Wood support

### Standard equipment

- ▶ Rear wall extraction
- ▶ Flat iron support or wooden support
- ▶ Pre-separator
- ▶ Dust collecting tray
- ▶ 2 temporary covers for nozzles



### Technical data / Available versions

PG3

### Grinding bench

Depth: 1000 mm · Height: 850 mm

Width	required volumetric flow of the fan	Suction nozzle (for rear extraction)	Suction nozzle (for extraction from below)	Standard	with wood support
1000 mm	1800 m <sup>3</sup> /h	∅ 150 mm	∅ 180 mm	56 400 <b>2 260,00 €</b>	56 400 88 <b>2 430,00 €</b>
1500 mm	2600 m <sup>3</sup> /h	∅ 150 mm	∅ 200 mm	56 410 <b>2 470,00 €</b>	56 410 88 <b>2 670,00 €</b>
2000 mm	3400 m <sup>3</sup> /h	∅ 2× 150 mm	∅ 224 mm	56 420 <b>2 990,00 €</b>	56 420 88 <b>3 170,00 €</b>
2500 mm	4200 m <sup>3</sup> /h	∅ 2× 150 mm	∅ 250 mm	56 430 <b>3 100,00 €</b>	56 430 88 <b>3 320,00 €</b>

## Accessories

Our Hotline

+49 28 63 92 82 0



Description		Art. No.	Suction table	Welding bench	Grinding bench
Downhand welding device	PG3	56 130		■	
		95,00 €			
Extractable side panels (2 pieces)	PG3	99 920 004 0			■
		288,00 €			
Rib suspension, pivoted (2 pieces)	PG3	99 920 000 5			■
		361,00 €			
Suction arm Ø150 mm hose type, internal joints	PG2	Length 2m 97 601 000 1	■		
		Length 3m 97 602 000 1	■		
		498,00 €			



Grinding bench (Art. No. 56 400) with foldable vertical blinds